



Compressor
Voltage Code : XC

FH2480Z-XC3A

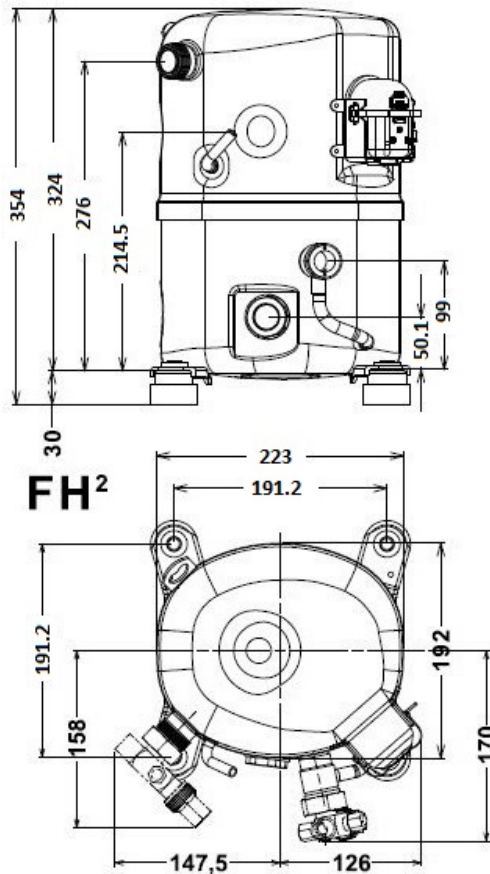
Low Temp. Commercial (BP)

220 - 240V 1~ 50 Hz

R452A / R404A / R448A / R449A

FH2480ZXC3A

Conditions	Frequency	Nominal Cooling Capacity		Sound Power ISO3745 / ISO 3743-1
		Watts	BTU/h	
EN12900 / R452A	50 Hz	1032	3518	72 dBA
EN12900 / R404A	50 Hz	1281	4367	72 dBA
EN12900 / R448A	50 Hz	1003	3421	72 dBA
EN12900 / R449A	50 Hz	1003	3421	72 dBA



Displacement (cc)	54.3
Net Weight (Kg)	28.0
Oil Quantity (cc)	1140.0
Oil Type	Polyolester
Expansion Device	Capillary_Tube/Expansion_Valve
Cooling	Fan
Main Winding (Ohm)	0.73
Start Winding (Ohm)	2.07
Current	
RLA (A)	9
MCC (A)	12
LRA (A)	65
Electrical Equipment	CSR
Overload	Interne
Start Capacitor	156 µF / 330 V
Run Capacitor	45 µF / 400 V
Potential Relay	RVA4AL**
Pick Up	223/252V
Drop Out	60/121V
Refrigerating connection for OD	
Suction Tube	15.9 (5/8")
Discharge Tube	12.7 (1/2")
Process Tube	6.35 (1/4")

* EN12900 : T°Cond. 40.0°C / T°Evap. -35.0°C / T°Return gas temp.. 20.0°C
T°Subcooling. 0.0K

Certificates :



Note : Tecumseh reserves the right to change information contained in this document without notification.



Tecumseh

FH2480Z-XC3A	Tension XC : 220 - 240V 1~ 50 Hz
---------------------	---

Les performances sont données dans les conditions EN12900 :	Gaz aspirés :	20.0 °C
Condition Dew	Sous refroidissement :	0.0 K
The performance data are in EN12900 conditions :	Return gas :	20.0 °C
Dew Condition	Subcooling :	0.0 K

50 Hz R452A									
N°User-194									
4 T condensation	5 T évaporation	(°C)	-40	-35	-30	-25	-20	-15	-10
30	1 P frigorifique	(Watt)	942	1385	1871	2458	3208	4179	5433
	2 P absorbée	(W)	753	905	1036	1160	1289	1436	1614
	3 I absorbée	(A)	1.88	2.25	2.57	2.87	3.19	3.56	4.01
40	1 P frigorifique	(Watt)	542	1032	1505	2023	2645	3431	4442
	2 P absorbée	(W)	689	885	1056	1217	1379	1556	1760
	3 I absorbée	(A)	1.71	2.20	2.62	3.02	3.41	3.85	4.37
50	1 P frigorifique	(Watt)		609	1101	1581	2106	2739	3538
	2 P absorbée	(W)		818	1037	1240	1442	1655	1892
	3 I absorbée	(A)		2.03	2.57	3.08	3.58	4.11	4.70
60	1 P frigorifique	(Watt)				1096	1557	2066	2685
	2 P absorbée	(W)				1209	1457	1713	1989
	3 I absorbée	(A)				3.00	3.61	4.25	4.95

50 Hz R404A									
N°User-193									
4 T condensation	5 T évaporation	(°C)	-40	-35	-30	-25	-20	-15	-10
30	1 P frigorifique	(Watt)	1176	1700	2346	3127	4057	5150	6419
	2 P absorbée	(W)	993	1214	1432	1643	1843	2026	2190
	3 I absorbée	(A)	6.98	7.30	7.66	8.06	8.50	8.98	9.50
40	1 P frigorifique	(Watt)	817	1281	1847	2531	3345	4303	5419
	2 P absorbée	(W)	931	1190	1453	1715	1972	2220	2453
	3 I absorbée	(A)	6.84	7.30	7.80	8.34	8.92	9.54	10.2
50	1 P frigorifique	(Watt)		868	1348	1926	2615	3431	4386
	2 P absorbée	(W)		1110	1418	1732	2047	2359	2663
	3 I absorbée	(A)		7.11	7.75	8.44	9.16	9.92	10.7
60	1 P frigorifique	(Watt)			865	1329	1887	2551	3337
	2 P absorbée	(W)			1325	1690	2063	2440	2816
	3 I absorbée	(A)			7.51	8.33	9.20	10.1	11.1

1 = cooling capacity 2 = power input 3 = current 4 = condensing temperature 5 = evaporating temperature

Nota : Tecumseh se réserve le droit de modifier les informations contenues dans ce document sans préavis.
Note : Tecumseh reserves the right to change information contained in this document without notification.

© 2020 Tecumseh Products Company
All rights reserved



Tecumseh

FH2480Z-XC3A	Tension XC : 220 - 240V 1~ 50 Hz
---------------------	---

Les performances sont données dans les **conditions EN12900** :
 Condition Dew
 The performance data are in **EN12900 conditions** :
 Dew Condition

Gaz aspirés : 20.0 °C
 Sous refroidissement : 0.0 K
 Return gas : 20.0 °C
 Subcooling : 0.0 K

© 2020 Tecumseh Products Company
All rights reserved

50 Hz R448A (*)

N°User-196

4 T condensation	5 T évaporation	(°C)	-35	-30	-25	-20	-15	-10
30	1 P frigorifique	(Watt)	1359	1947	2672	3549	4597	5831
	2 P absorbée	(W)	1037	1240	1440	1631	1809	1970
	3 I absorbée	(A)	6.23	6.63	7.06	7.53	8.02	8.55
40	1 P frigorifique	(Watt)	1003	1530	2180	2968	3911	5027
	2 P absorbée	(W)	994	1239	1488	1734	1975	2205
	3 I absorbée	(A)	6.10	6.65	7.24	7.85	8.49	9.17
50	1 P frigorifique	(Watt)	646	1106	1674	2367	3201	4194
	2 P absorbée	(W)	894	1182	1479	1782	2086	2386
	3 I absorbée	(A)	5.73	6.46	7.20	7.98	8.78	9.61
60	1 P frigorifique	(Watt)			1175	1766	2486	3349
	2 P absorbée	(W)			1409	1769	2136	2506
	3 I absorbée	(A)			6.94	7.89	8.85	9.85

50 Hz R449A (*)

N°User-195

4 T condensation	5 T évaporation	(°C)	-35	-30	-25	-20	-15	-10
30	1 P frigorifique	(Watt)	1359	1947	2672	3549	4597	5831
	2 P absorbée	(W)	1037	1240	1440	1631	1809	1970
	3 I absorbée	(A)	6.23	6.63	7.06	7.53	8.02	8.55
40	1 P frigorifique	(Watt)	1003	1530	2180	2968	3911	5027
	2 P absorbée	(W)	994	1239	1488	1734	1975	2205
	3 I absorbée	(A)	6.10	6.65	7.24	7.85	8.49	9.17
50	1 P frigorifique	(Watt)	646	1106	1674	2367	3201	4194
	2 P absorbée	(W)	894	1182	1479	1782	2086	2386
	3 I absorbée	(A)	5.73	6.46	7.20	7.98	8.78	9.61
60	1 P frigorifique	(Watt)			1175	1766	2486	3349
	2 P absorbée	(W)			1409	1769	2136	2506
	3 I absorbée	(A)			6.94	7.89	8.85	9.85

1 = cooling capacity 2 = power input 3 = current 4 = condensing temperature 5 = evaporating temperature

(*) Veuillez vous référer strictement aux Recommandations d'Utilisation et Bulletins Marketing Tecumseh du fait de la température de reflux élevée pour les applications LBP.

(*) Due to very high discharge temperature especially on LBP conditions, please strictly refer to Tecumseh Guidelines & Marketing Bulletin when using this refrigerant.

Nota : Tecumseh se réserve le droit de modifier les informations contenues dans ce document sans préavis.

Note : Tecumseh reserves the right to change information contained in this document without notification.